

Ifö Cero, water free urinal



Ifö Cero urinal
A water free urinal with environment friendly oil as water trap.

Ifö Cero Stop (oil)
6x2,5 dl bottles
5 litres

Ifö Cero Detergent
(cleaning agent) 6x0,5 l bottles

Ifö no.

41250

91862

91863

91864

The delivery includes:

Complete urinal with premounted water trap

Installation instructions, Ifö no. 91860

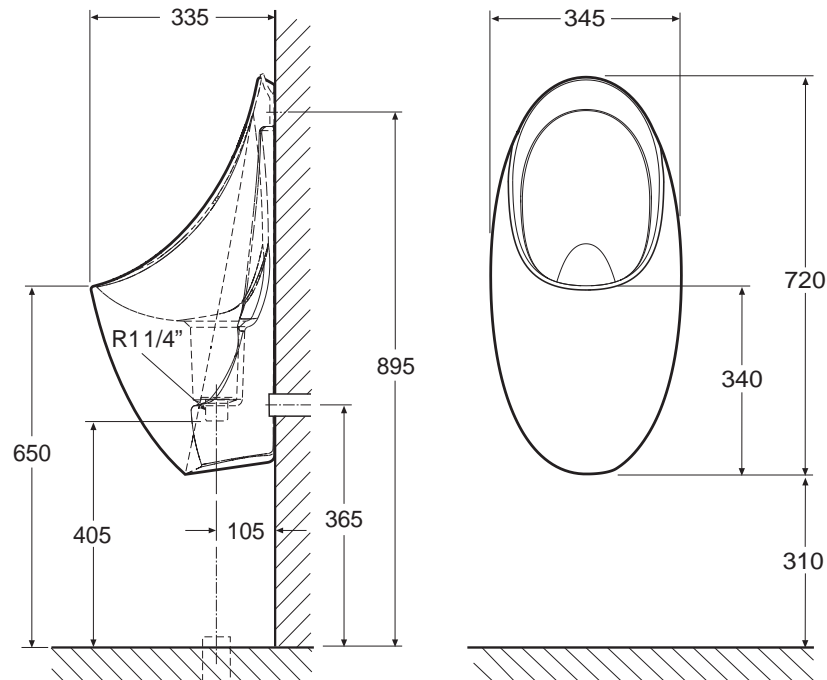
Wall hooks, Ifö no. 96129

Ifö Cero Stop, 2,5 dl bottle

Ifö Cero Detergent 0,5 l bottle

Installation kit, Ifö no. 91259

Urinal 4125



Function:

Ifö Cero is designed with an environment friendly oil (Ifö Cero Stop) which functions as a water lock. The oil filters the urine, which then passes via a drain, as it is heavier than the oil. The installation does not need to be connected to water or electricity, only the urinal and the drain is necessary.

Ifö recommends daily cleaning with Ifö Cero Detergent in order to keep the porcelain clean from urine. NB! The cleaning agent is adapted to not damaging the porcelain, oil or plastic parts. Cleaning equipment containing hard abrasives such as steel wool and green fibre sponges should not be used. An ordinary toilet brush and paper is recommended.

Oil change with Ifö Cero Stop is recommended monthly or after about 5000 visitors. The plastic parts should be taken apart and deposits cleaned off at the same time, otherwise their function is impaired. An aroma has been added to the environmental friendly oil in order to inhibit the smell of urine during use. The oil has been approved for release into the drain when being changed. The oil does not contain any compounds that can harm the plastic components or the drainage pipe.