



Public Steel

Public Steel



Public Steel brings style and beauty to protection against vandalism – a functional and aesthetically pleasing range of products in stainless steel for public bathrooms and toilets.

Why anyone would want to resort to vandalism is a complete mystery to most people although such thoughts are of little comfort when faced with the reality of the situation. What is necessary is to eliminate the opportunity to destroy fixtures and fittings in public bathrooms and toilets – being wise before the event rather than after.

The main task is to replace everything made of porcelain with stainless steel, even the mirrors. Then it is matter of securing the toilet bowls, partitions, hand-basins and urinals to ensure they stand up to aggressive treatment. It is also crucial to build in cisterns, waste pipes and flushing handles and buttons to prevent users with more sinister intentions from getting at them.

But there is another way of reducing vandalism. Style and beauty. A simple, pure design concept for public bathroom and toilet facilities can temporarily disarm or at least suppress the desire to destroy. Environments that combine prevention with an attractive design. Products that are beautiful in their simplicity, creating harmony and appealing to our good side.

With our new range for public bathroom and toilet products we at Ifö have succeeded in bringing style and beauty to protection against vandalism.



Public Steel Washbasin in soft, sweeping lines
Pages 4-5



Public Steel Toilet Bowl with a Teflon coating
Pages 4-5



Public Steel Toilet Module with adjustable seat height
Pages 4-5



Public Steel Urinal with a built-in sensor
Page 6



Public Steel Partition for increased comfort
Page 7



Public Steel Mirrors for exposed environments
Page 7



www.ifosanitar.com

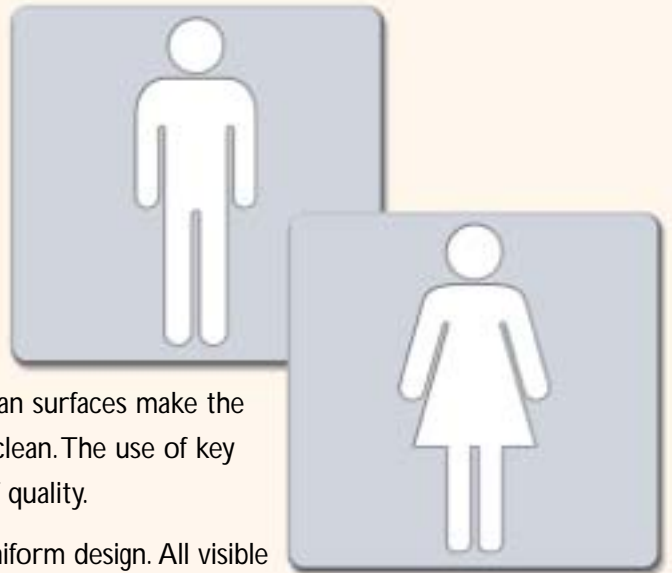
Public Steel has emerged from Ifö's recognised and much-acclaimed expertise in creating functional and aesthetically-pleasing products in porcelain and stainless steel for bathrooms, toilets and kitchens. Ifö quality – pure and simple.

The designer has given the range a style that goes beyond the norm. Functionality and honest use of materials instil character. Sweeping lines and smooth, clean surfaces make the pieces aesthetically pleasing and, above all, easy to keep clean. The use of key design details as decorative elements creates a feeling of quality.

Public Steel gives all public bathroom and toilet areas a uniform design. All visible parts are made of stainless steel and the products are easy to install and are secured firmly with screws. As the dimensions are standard all the pieces are easy to replace. And their long lifespan has a positive impact on cost.

Ifö Public Steel is suitable for hotels, restaurants, sports amenities, roadside rest areas, medical facilities etc. It is designed for bathroom and toilet areas where vandalism could occur and where the demand for hygiene is particularly high.

For refurbishment of existing areas and for new installation, the combination of our stainless steel product series and the Ifö Premont installation system is an excellent alternative.



Environmental consideration included

All Ifö products are manufactured with particular concern for the environment at all stages. Recyclable materials have been used for almost all components and product packaging has been environmentally adapted and labelled as returnable.

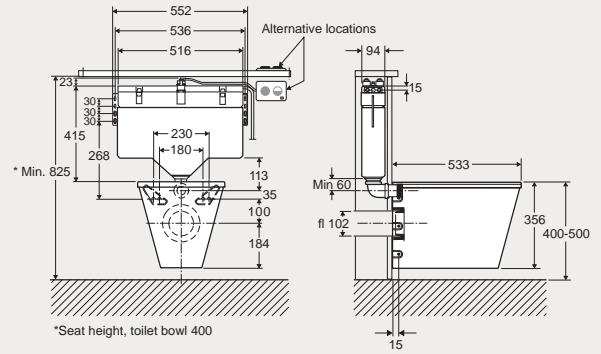


Public Steel stainless steel washbasin in soft, sweeping lines

Previously, the use of stainless steel for public bathroom and toilet areas was a matter of function. Public Steel adds previously neglected aesthetic values without compromising on the ultimate purpose. Vandalism is not only about pieces that are easy to break. A clean, attractive, inviting environment is probably less tempting to smash than a boring, cold environment.

The Public Steel washbasin has acquired its design concept from our attractive porcelain pieces. It is compression-moulded in two sections and designed to allow the use of all mixers with standard dimensions.

The stainless steel pillar makes installation even more vandal-proof whilst at the same time enhancing the design. The washbasin also fits the Ifö Premont washbasin module, offering two alternatives for enclosing pipes. Clean and safe against vandalism.

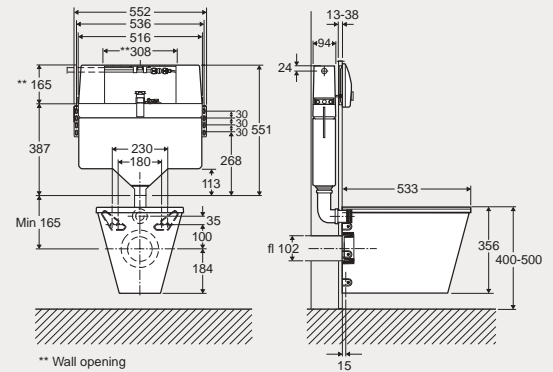


Public Steel Toilet Bowl for a built-in cistern

The Ifö enclosed cistern, available in two sizes, is part of the Ifö Premont toilet module and offers 4- or 2-litre flushing capacity or a maximum of 5 litres. All pipe systems are built into the Premont wall and are only accessible for those who are authorised.

The stainless steel toilet bowl is mounted on the wall, leaving the floor free and easy to clean. The toilet bowl is compression-moulded without any sharp edges and has been given a Teflon coating to make cleaning easier.

For really demanding environments, the toilet bowl is available without a seat or bolt holes. Otherwise there is a choice of an elegant anthracite grey Pressalit seat or a dark grey Ifö hard seat, which can be fitted firmly into the seat bolt holes.



Built-in flushing cistern

The flushing cistern is built into the Premont wall. In our public environments there is a choice of a single or double button or a front hatch with one or two built-in flushing buttons.

Both the flushing functions can be screwed simply into the Premont wall.

The flushing buttons can also be replaced by Ifö Sensor for non-touch flushing.



Public Steel Toilet Module

Conditions do not always allow installation of a Premont wall with an enclosed cistern, in which case an external toilet module is an alternative. It can be fitted to the floor, the wall or both. It is simple to connect to either a wall or floor waste pipe. An added refinement is the adjustable seat height, allowing a choice of 400 to 460 mm height plus the height of the seat. This allows the toilet area to be adapted for disabled persons.

The flushing buttons are located to permit easy access and there is a choice of either a 5-litre full flush or a combined full and half flush, 4 or 2 litres.





Public Steel Urinal with Teflon coating

Exactly the same as the stainless steel toilet bowl, the urinal has a protective Teflon surface that is highly resistant to chemicals and high-pressure washing. The Teflon coating prevents the build-up of residue in the bowl, which means that cleaning with a soft brush is sufficient.

There is a choice of a built-in sensor in the urinal or the Ifö Sensor on the wall for non-touch flushing. The urinal can also be mounted on a Premont wall with enclosed pipes or the waste pipe can be built into a vandal-proof pillar.



Public Steel Partition

It is really quite strange that for a long time men have accepted standing side by side in a public toilet area with no privacy whatsoever. And the truth is that more men than we would imagine are actually disturbed by such a situation. So disturbed in fact that they refrain from using a channel or open urinal if someone else is present.

With Public Steel stainless steel partitions we can eliminate this problem. It gives the whole environment a dignified and attractive feeling and offers the privacy that so many men seek. This perhaps also relieves the frustration in a number of people, resulting in less vandalism.

The wall is very easy to fit and as it does not extend all the way down to the floor cleaning is not affected.

Public Steel Mirror

A stainless steel mirror is an ideal alternative in highly vulnerable public toilet areas. It is made of electrically polished, high-lustre steel and functions almost as well as a real mirror but at the same time is capable of withstanding less than gentle treatment.

The mirror is available in two sizes. It is adapted to standard tile sizes for simpler installation and can be fitted on top of the tiles or into the tile arrangement itself. The mirror is backed with treated MDF to prevent the mirror from warping.

The combination of a Premont wall and built-in sensor makes the urinal easy to install and also makes the environment extremely easy to keep clean and safe against vandalism. The Premont wall permits everything from simple, quick and attractive replacement of an unhygienic channel to the rebuilding or new construction of a whole toilet facility.

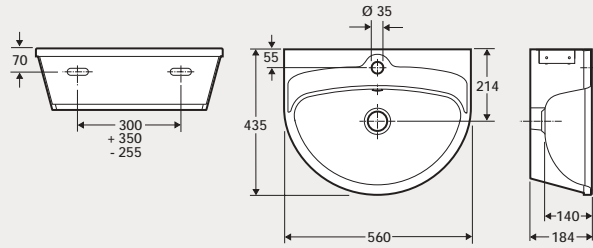


The pillar offers protection against vandals all the way down to the waste pipe in the floor. The half-pillar is suitable if the pipe enters the wall under the urinal. With a Premont wall no pillar is required.



Public Steel Washbasin in soft, sweeping lines

Stainless steel washbasin for bolt mounting, designed to fit Ifö Premont. Supplied ready for installation, excluding water lock.

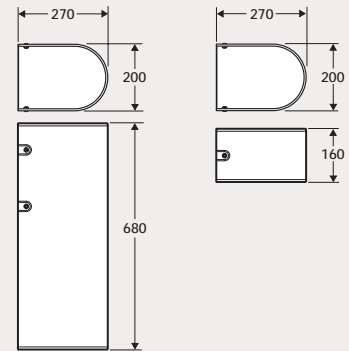


	Ifö No.
Washbasin	8550080



Public Steel pillars for increased protection against vandalism

Stainless steel pillar for fitting to the Public Steel handbasin. Available as a full floor pillar and as a half-pillar. Both supplied ready for installation.

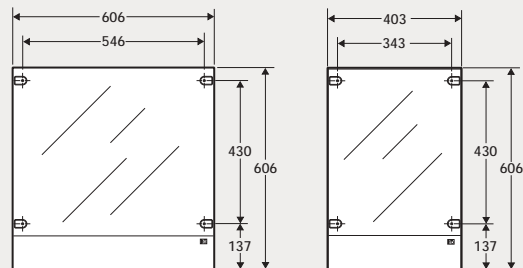


	Ifö No.
Full pillar for washbasin	8575080
Half-pillar for washbasin	8580080



Public Steel mirrors for vulnerable environments

Mirror in electrically-polished, high-lustre stainless steel with an elegant matt border along the lower edge. The back is made of treated MDF. Can be fitted into or on top of tiles. Supplied ready for installation.

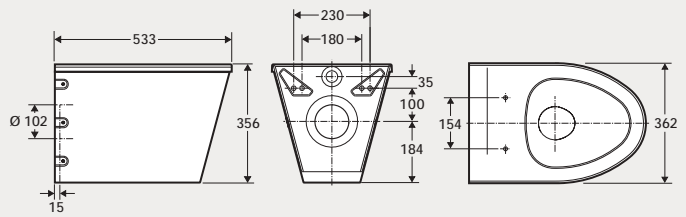


	Ifö No.
Mirror 600x400	8585081
Mirror 600x600	8585080



Public Steel Toilet Bowl with a Teflon coating

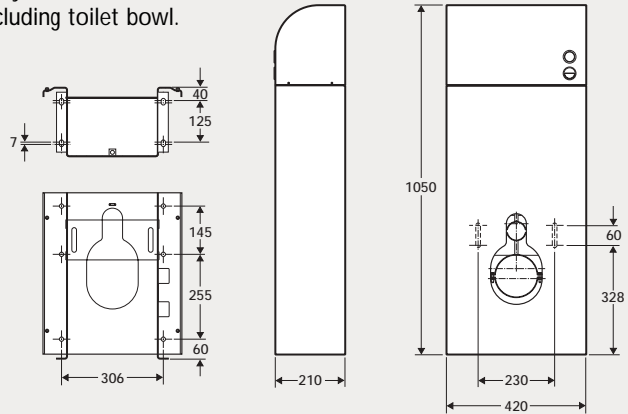
Stainless steel toilet bowl for wall mounting, suitable for Ifö Premont and the Public Steel Toilet Module. Supplied ready for installation.



	Ifö No.
Toilet bowl with dark grey hard seat	8510082
Toilet bowl with anthracite grey Pressalit seat	8510081
Toilet bowl without seat bolt holes	8500080

The height of the Public Steel Toilet Module can be adjusted

Stainless steel toilet module for floor and/or wall mounting. Available with 4- or 2-litre double flush or 5-litre single flush capacity. Supplied ready for installation, excluding toilet bowl.



	Ifö No.
Toilet module, single flush	8560081
Toilet module, double flush	8560080

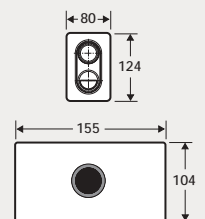


Choice of buttons or sensor

Stainless steel button with a single or double flush for Ifö's enclosed cisterns. Screw attachment for increased protection against vandalism.

Sensor enclosure box in aluminium for battery or mains connection for Ifö's enclosed cisterns. For non-touch toilet.

	Ifö No.
Button, single flush	8590081
Button, double flush	8590080
Enclosure box, battery operation	98795
Enclosure box, mains operation	98796

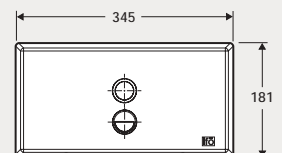


Front hatch for both flushing and inspection

Stainless steel front hatch, which is both an inspection hatch and a flushing button.

Available with a single or double flush for Ifö's enclosed cisterns. Screw attachment for increased protection against vandalism.

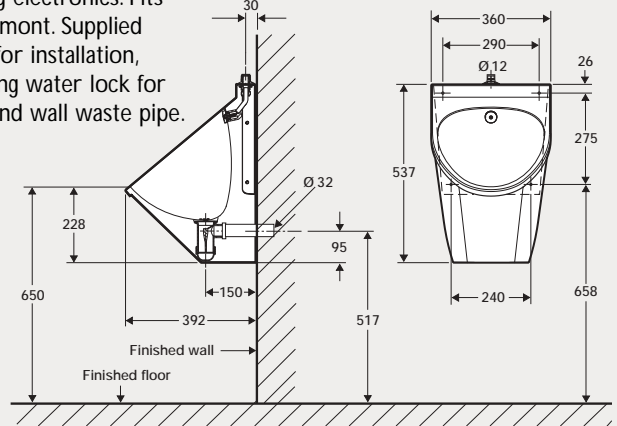
	Ifö No.
Front hatch, single flush	8595081
Front hatch, double flush	8595080





Pubic Steel Urinal with a Teflon coating

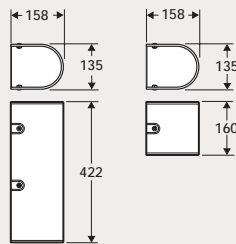
Stainless steel urinal for wall mounting. Available with a built-in sensor with mains or battery operation for the separately-mounted flushing electronics. Fits Ifö Premont. Supplied ready for installation, including water lock for floor and wall waste pipe.



	Ifö No.
Urinal, rear connection	8520080
Urinal, top connection	8530080
Urinal, integrated sensor, mains operation, rear connection	8710080
Urinal, integrated sensor, mains operation, top connection	8710081
Urinal, integrated sensor, battery operation, rear connection	8710082
Urinal, integrated sensor, battery operation, top connection	8710083



The Public Steel pillars hides all pipes into the floor



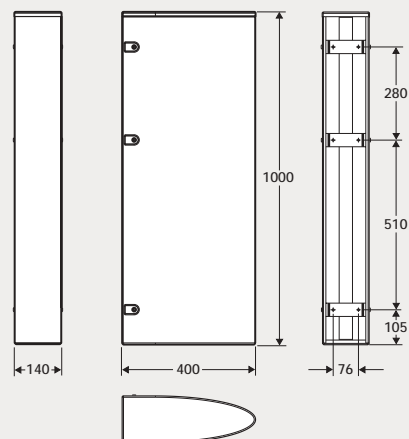
A stainless steel pillar designed to fit a Public Steel urinal. Available as a full floor pillar and as a half-pillar. Both supplied ready for installation.

	Ifö No.
Full pillar for urinal	8565080
Half-pillar for urinal	8570080



Public Steel Partition for increased privacy

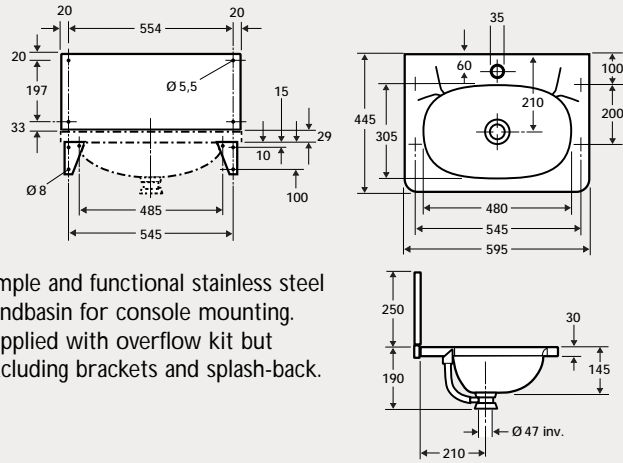
Stainless steel partition for wall mounting.



	Ifö No.
Partition	8700080



RM-6 with splash-back for simpler environments

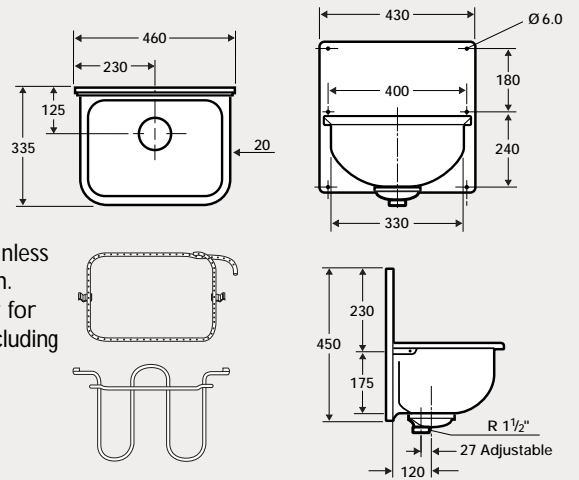


Simple and functional stainless steel handbasin for console mounting. Supplied with overflow kit but excluding brackets and splash-back.

	Ifö No.
RM 6, handbasin	0396581
Splash-back	0397280
Brackets, set of two	0397380



CU-44 for cleaning areas, workshops etc.



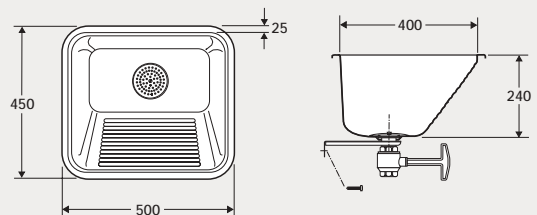
Traditional stainless steel slop basin. Supplied ready for installation, excluding water lock.

	Ifö No.
CU 44	0399980
CU 44 G, with grille	0399981
CU 44 B, with overflow	0399982
CU 44 GB, with grille and overflow	0399983
Flushing ramp	0399480



CT-50 for laundry rooms and similar areas

Traditional stainless steel washing basin. Supplied ready for installation, excluding valves.



	Ifö No.
CT 50, without valve	0398080
Ball valve	0416080
Rocker valve	0416180

A safe choice

When you choose Ifö you receive a total solution. Ifö has a complete range of bathroom products stocked by plumbing wholesalers. You can also make use of the large Ifö sales and service network and generous product warranties. Discover the advantages of working with a complete supplier.

Your local supplier



www.ifosanitar.com

Head office: Ifö Sanitär AB, Box 140, SE-295 22 Bromölla, Sweden. Phone: +46 456-480 00. Fax: +46 456-480 48.